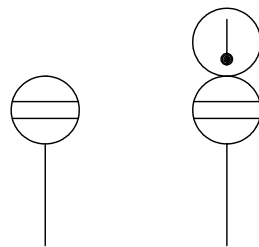


OLGT

Oil level indicators with thermometer



OLGT2-100

1 2 3

1

OLG:
OLGT:

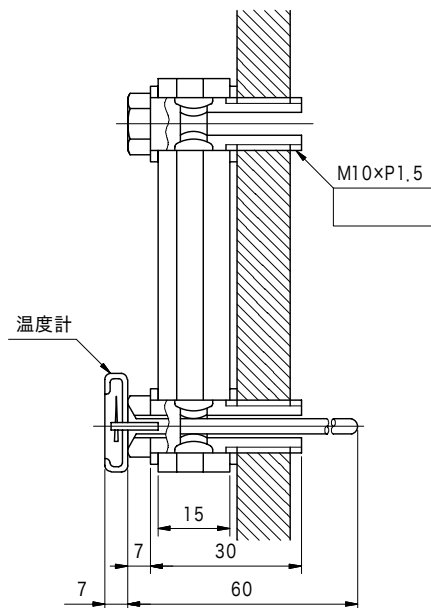
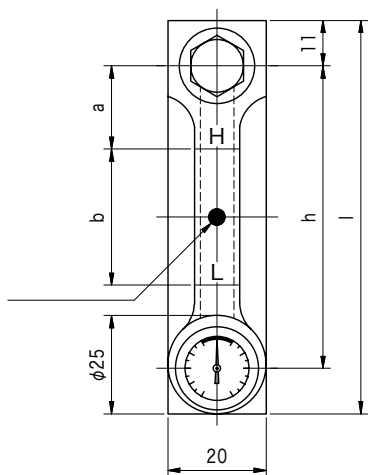
2

1: 1 (H)
2: 2 (H L)

3

100: 100 mm
200: 200 mm

; 85°C
: 0°C~+100°C
: 17~19 N·m



	l	h	a	b
OLG(T) 1-100	122	100	20	—
OLG(T) 1-200	222	200	30	—
OLG(T) 2-100	122	100	20	40
OLG(T) 2-200	222	200	30	60