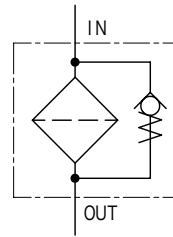


Return Line

Return line filters

OFR



●Return Line
가

가

OFR-08F-10

- 1 2 3 4

1 Return Line

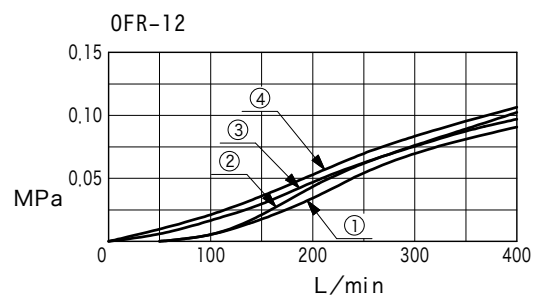
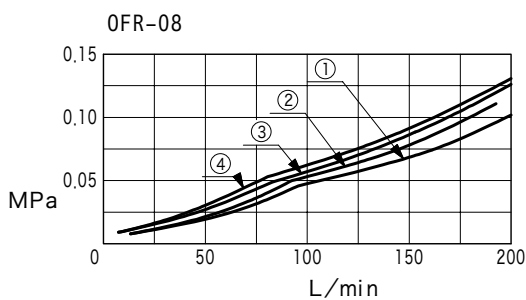
2 「 」

3 F:

4
10:10 μm
25:25 μm

		MPa	L/min	MPa	kg
OFR-08	1	1.5	80	0.06 ※	2.7
OFR-12	1-1/2		200		6

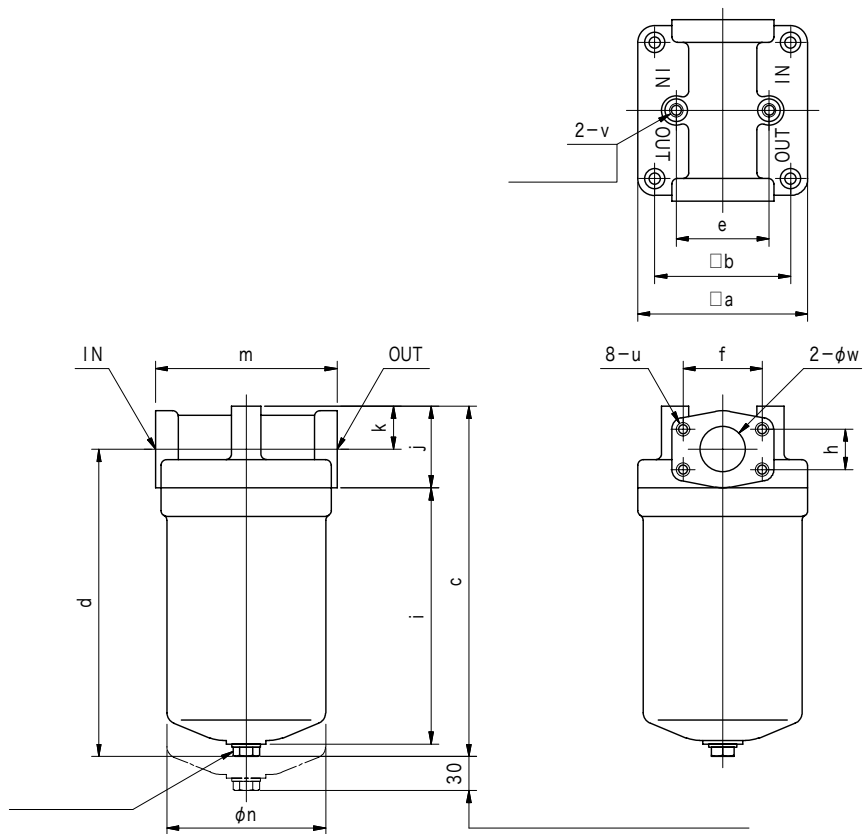
※:



- ① : 22 mm²/s, 25 μm
- ② : 22 mm²/s, 10 μm
- ③ : 68 mm²/s, 25 μm
- ④ : 68 mm²/s, 10 μm

● IN,OUT . OUT

● 가 가



	w	a	b	c	d	e	f	h	i	j	k	m	n	u	v
OFR-08	28	120	95	229	197	60	52.4	26.2	156	64	32	128	106	M10深20	M10深20
OFR-12	40	150	120	309	271	82	69.9	35.7	226	72	38	160	140	M12×1.25深24	M12×1.25深24

OFR-08	FL1-8-08P-10-JA-S4-J	FL1-8-08W-10-JA
OFR-12	FL1-12-12P-10-JA-S4-J	FL1-12-12W-10-JA

- (OFR-08 M10, OFR-12 M12 X 1.25)
-