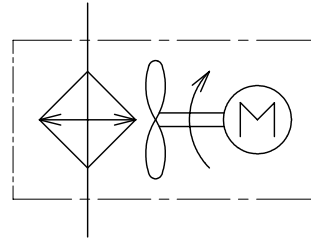


MF

Minifan coolers



가

MF-2-100V-30-01

- 1 2 3 4 5

1

2

2:MF-2

3:MF-3

3

100V:AC100 V 50/60 Hz

200V:AC200 V 50/60 Hz

4

30:MF-2

31:MF-3

32: ()

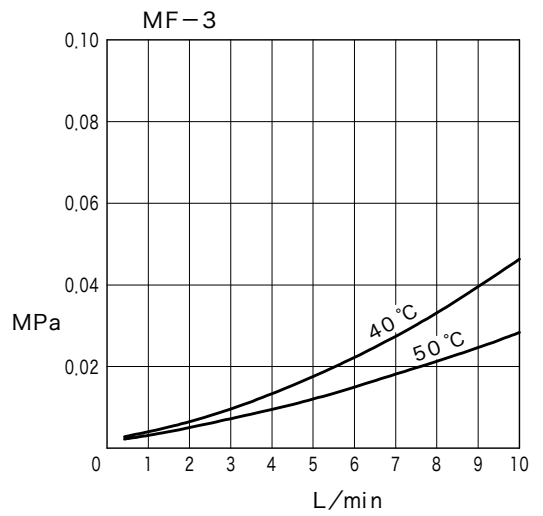
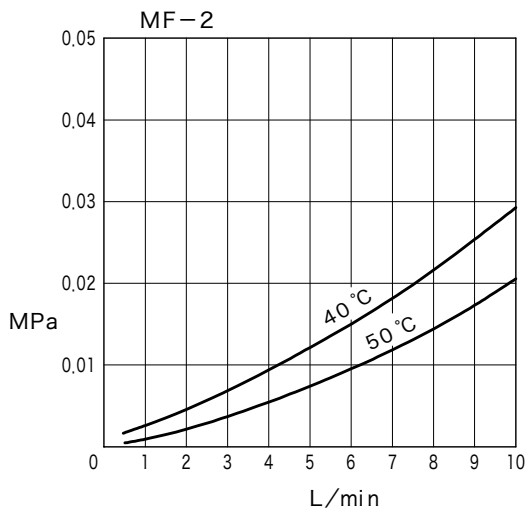
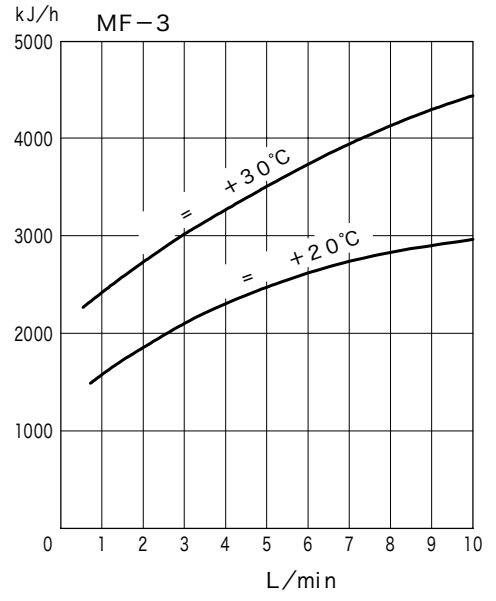
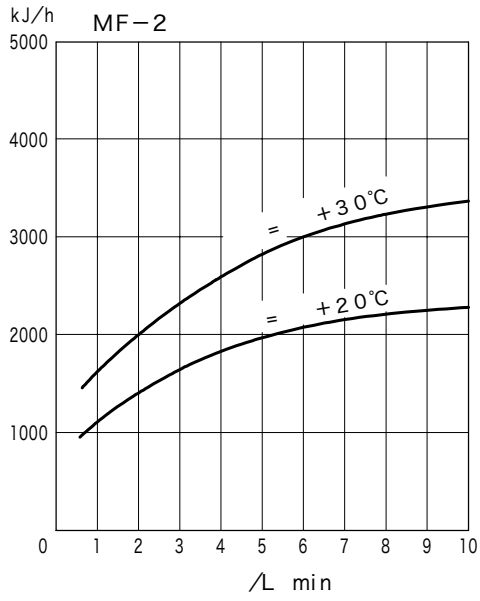
MF-2, MF-3

5

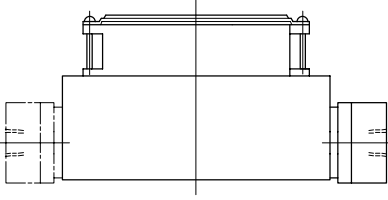
01:

02: 가
(MF-2)

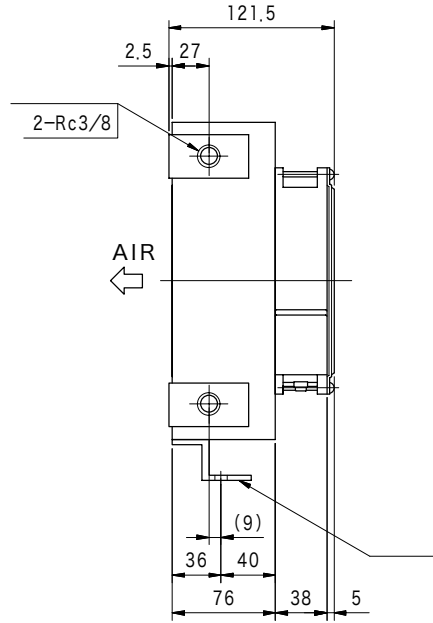
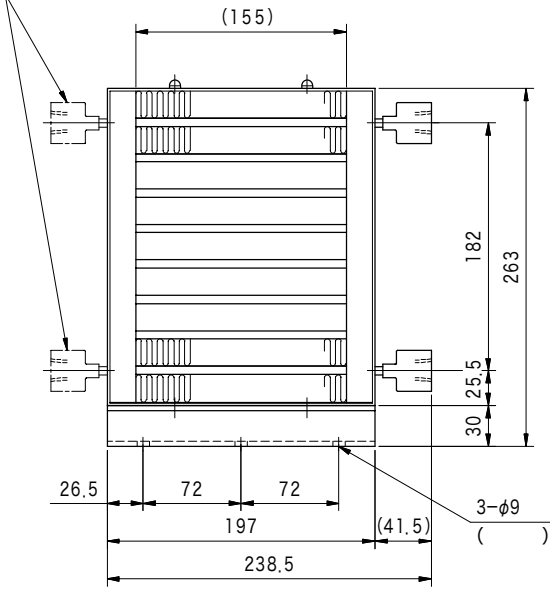
		MF-2	MF-3
		3.5 kg	5.5 kg
		1 MPa	
		100 V 50/60 Hz	50/48 W 0.62/0.52 A
		200 V 50/60 Hz	50/48 W 0.31/0.26 A
		0.5 mm ² 2 1 m	



MF-2-***V-30/32-01/02



MF-2-***V-32-02



MF-3-***V-31/32-01

