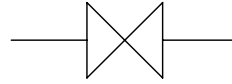


# GT

## Gauge cock



### GT-3(M)

1 2 3

1  
2

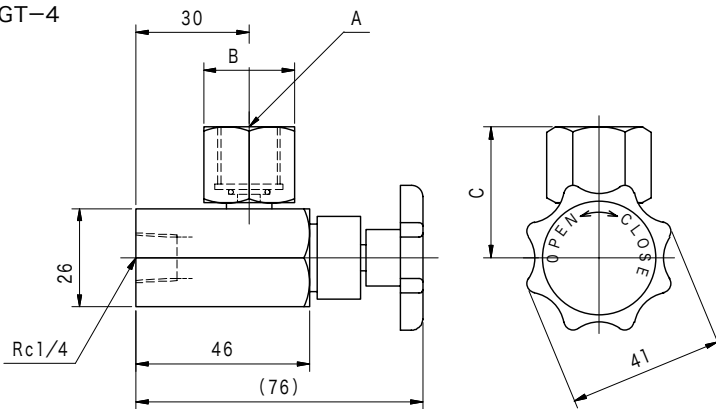
2: G1/4  
3: G3/8  
4: G1/2

3

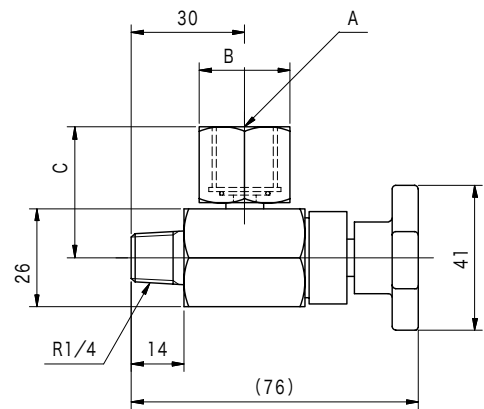
: Rc1/4  
M: R1/4 (GT-3M, GT-4M )

: 28MPpa(280kgf/cm<sup>2</sup>)

GT-2  
GT-3  
GT-4



GT-3M  
GT-4M



R  
6

		A	B	C
GT-2	1/4	G1/4	21	34.5
GT-3	3/8	G3/8	24	34.5
GT-4	1/2	G1/2	29	37.5

		A	B	C
GT-3M	3/8	G3/8	24	34.5
GT-4M	1/2	G1/2	29	37.5